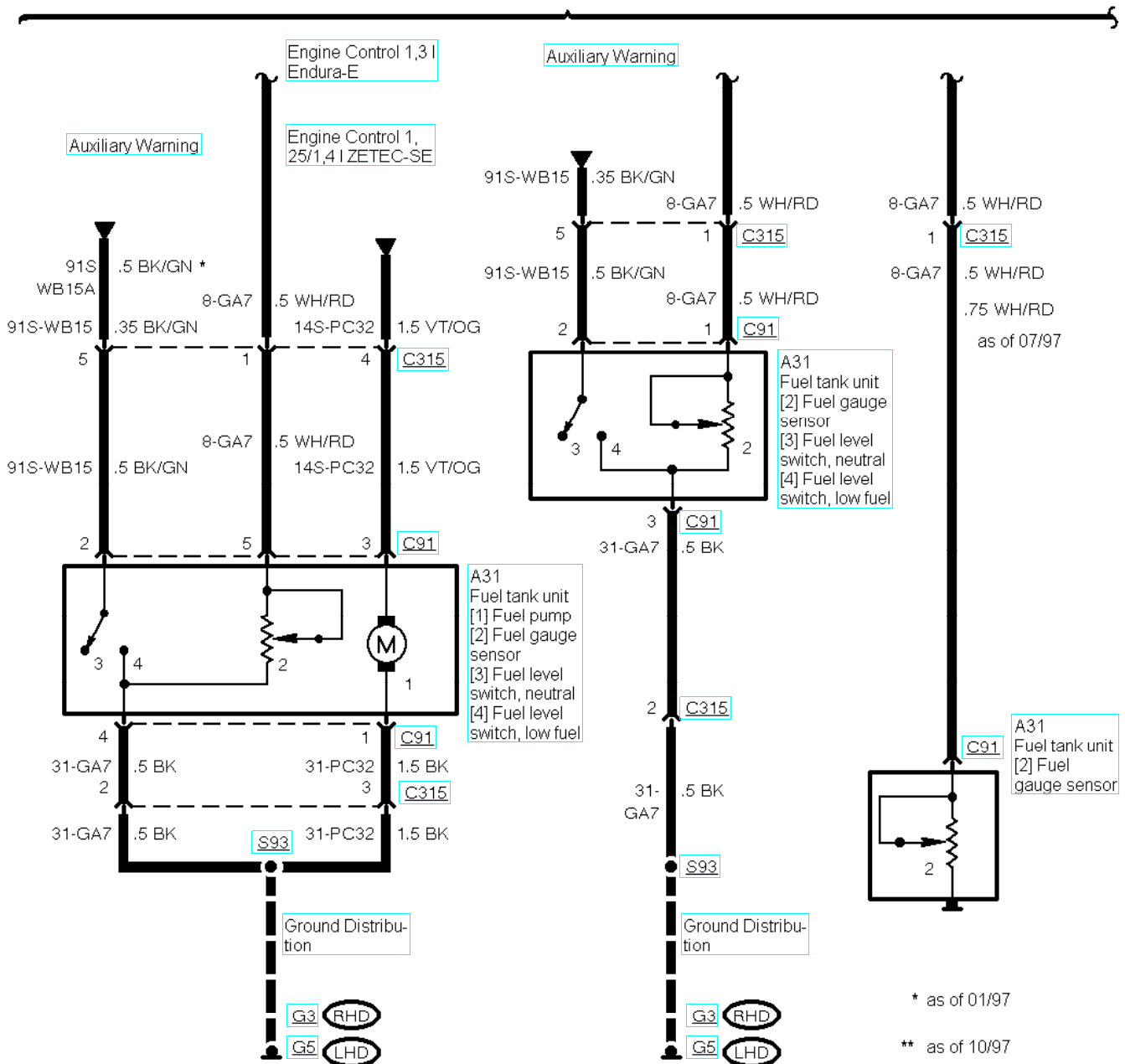
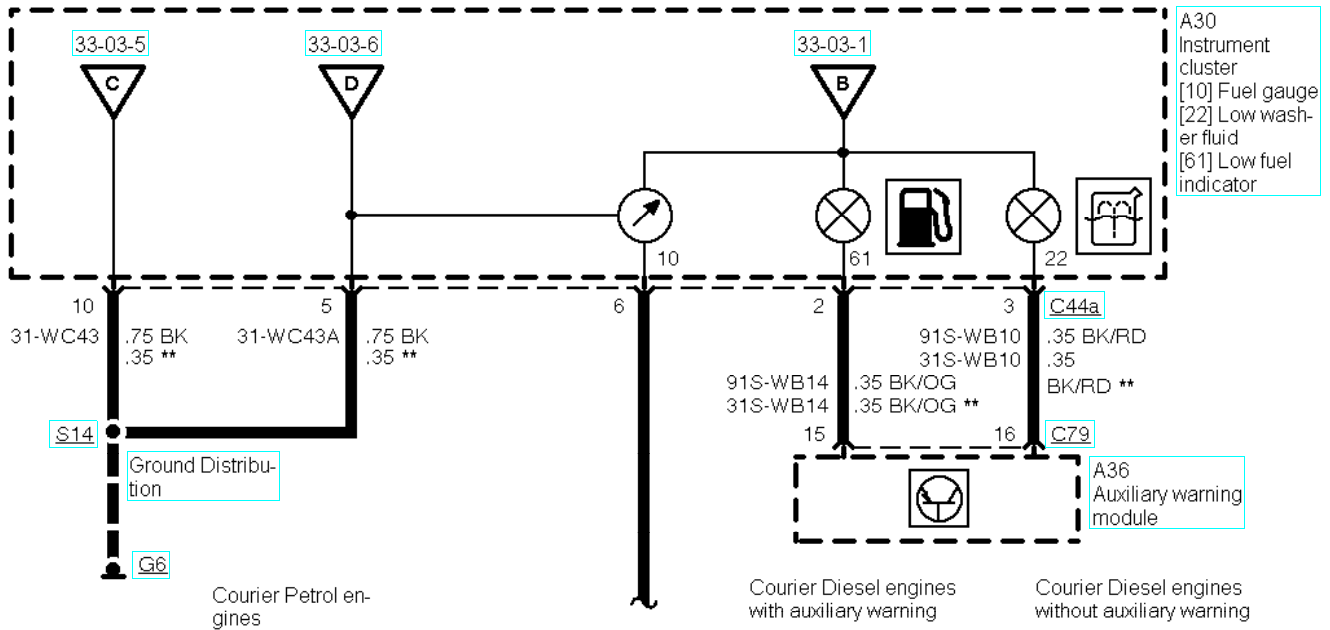


* Petrol engines as of 01/97

** Diesel engines as of 01/97

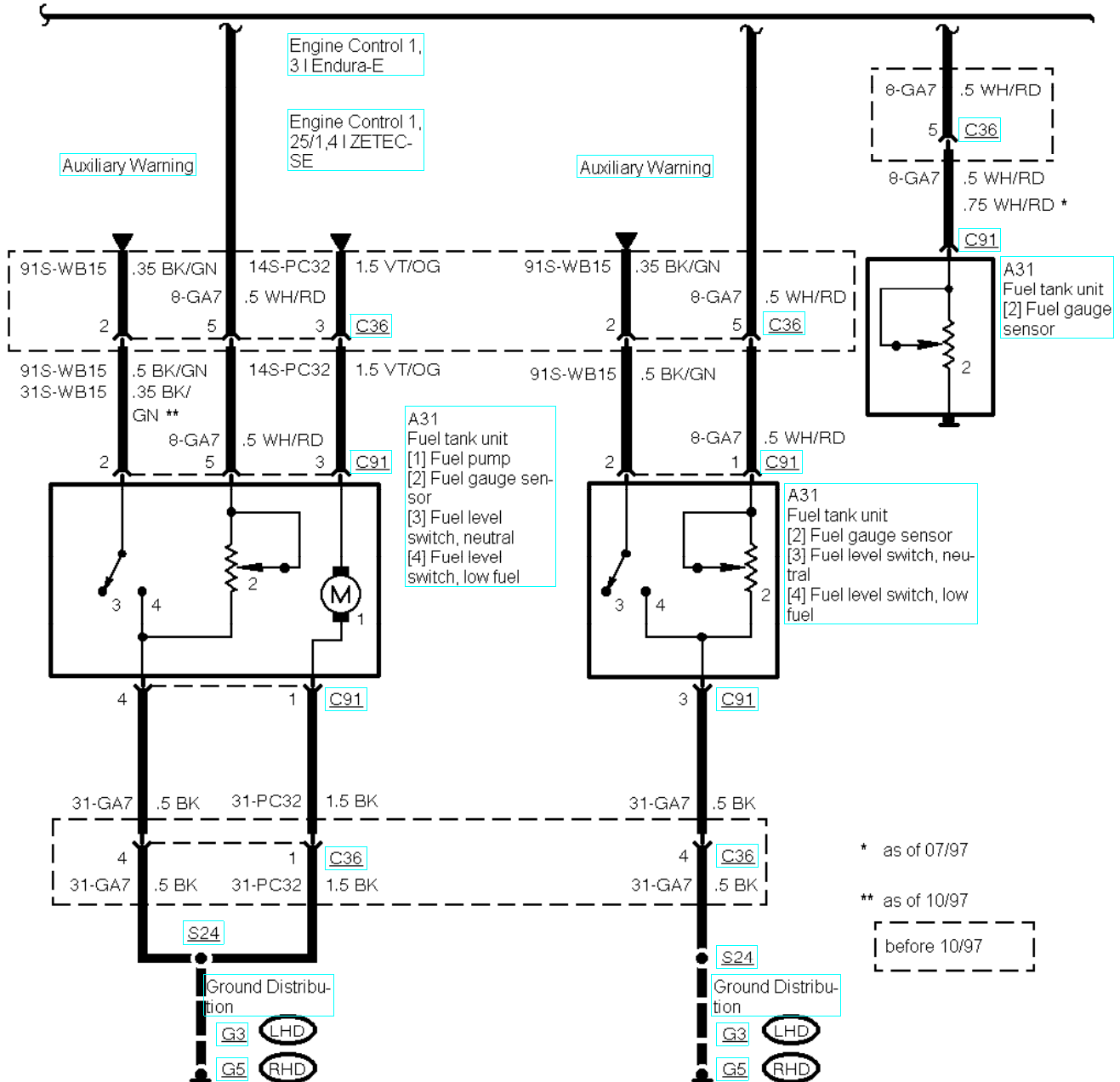
*** as of 10/97

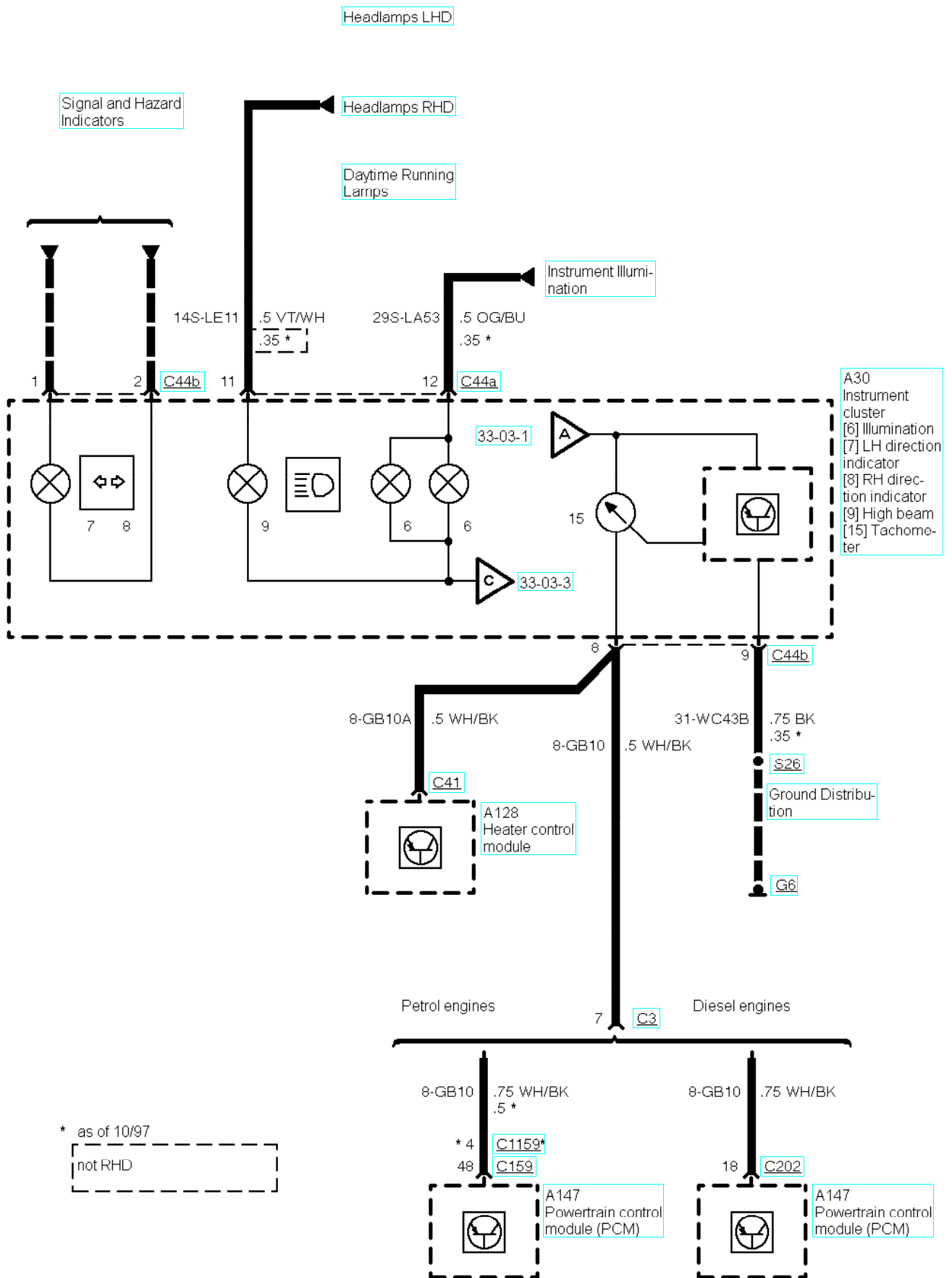


Petrol engines

Diesel engines with auxiliary warning

Diesel engines without auxiliary warning





* as of 10/97
 ** as of 05/98

